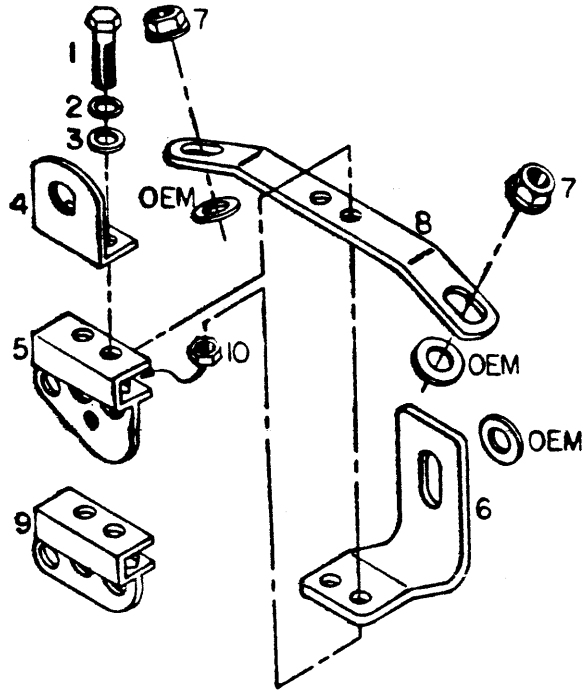


# Part Number : 71006

## HEAVY DUTY MOTOR MOUNT

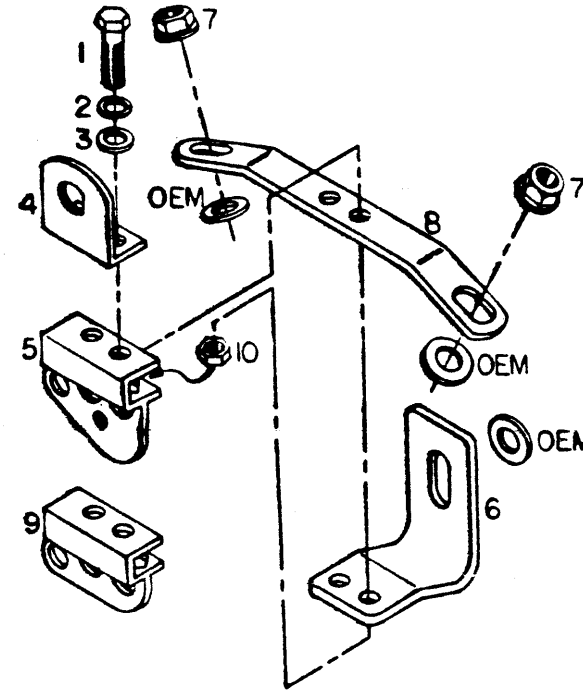


1 each 4,5,6,8  
2 each 1,2,3,7,10

**NOTE:** Any space between upper mount (6) and frame mount plate should be closed up by using washers as per factory manual

# Part Number : 71006

## HEAVY DUTY MOTOR MOUNT



1 each 4,5,6,8  
2 each 1,2,3,7,10

**NOTE:** Any space between upper mount (6) and frame mount plate should be closed up by using washers as per factory manual