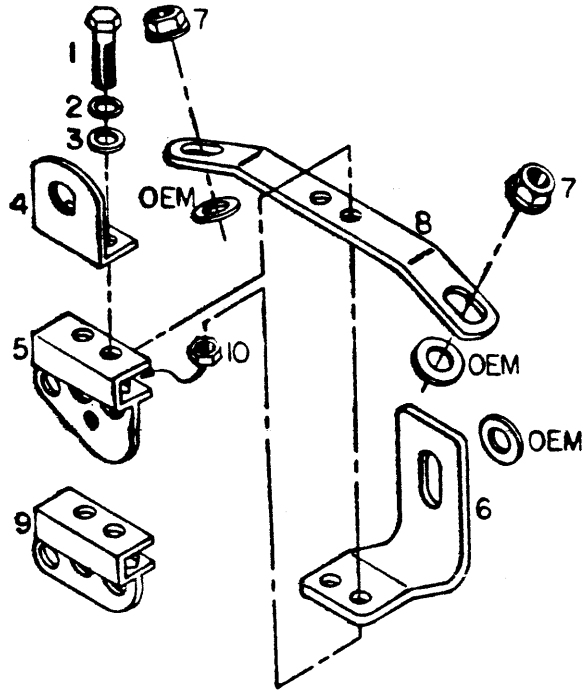


# Part Number : 15001

## HEAVY DUTY MOTOR MOUNT

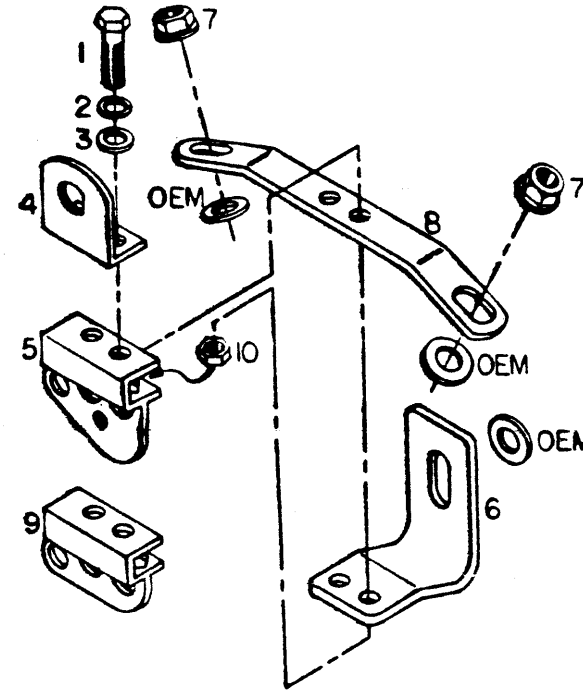


1 each 6,8,9  
2 each 1,2,3,7,10

**NOTE:** Any space between upper mount (6) and frame mount plate should be closed up by using washers as per factory manual

# Part Number : 15001

## HEAVY DUTY MOTOR MOUNT



1 each 6,8,9  
2 each 1,2,3,7,10

**NOTE:** Any space between upper mount (6) and frame mount plate should be closed up by using washers as per factory manual